

階段1 (Stage 1):

$S_1$	$d_1$	$f(S_1, d_1)$	$f(S_1, d_1) + g^*(S_0)$ $S_0 = T, g^*(S_0) = g^*(T) = 0$	$g^*(S_1)$	$d_1^*$
C <sub>1</sub>	T	7	7 + 0	7	T
C <sub>2</sub>	T	9	9 + 0	9	T
C <sub>3</sub>	T	8	8 + 0	8	T

階段2 (Stage 2):

$S_2$	$d_2$	$f(S_2, d_2)$	$f(S_2, d_2) + g^*(S_1)$ $S_1 = d_2$	$g^*(S_2)$	$d_2^*$
B <sub>1</sub>	C <sub>2</sub>	2	2 + 9	11	C <sub>2</sub>
	C <sub>3</sub>	4	4 + 8		
B <sub>2</sub>	C <sub>1</sub>	2	2 + 7	9	C <sub>1</sub>
	C <sub>3</sub>	3	3 + 8		
B <sub>3</sub>	C <sub>2</sub>	4	4 + 9	12	C <sub>3</sub>
	C <sub>3</sub>	5	4 + 8		

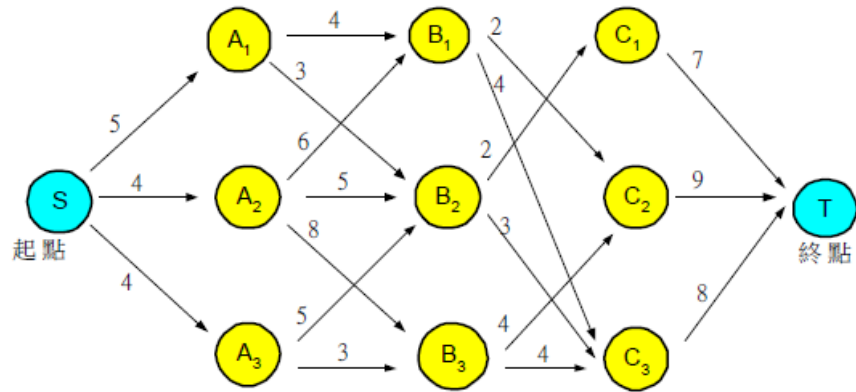
階段3 (Stage 3):

$S_3$	$d_3$	$f(S_3, d_3)$	$f(S_3, d_3) + g^*(S_2)$ $S_2 = d_3$	$g^*(S_3)$	$d_3^*$
A <sub>1</sub>	B <sub>1</sub>	4	4 + 11	12	B <sub>2</sub>
	B <sub>2</sub>	3	3 + 9		
A <sub>2</sub>	B <sub>1</sub>	6	6 + 11	14	B <sub>2</sub>
	B <sub>2</sub>	5	5 + 9		
	B <sub>3</sub>	8	8 + 12		
A <sub>3</sub>	B <sub>2</sub>	5	5 + 9	14	B <sub>2</sub>
	B <sub>3</sub>	3	3 + 12		

階段4 (Stage 4):

$S_4$	$d_4$	$f(S_4, d_4)$	$f(S_4, d_4) + g^*(S_3)$ $S_3 = d_4$	$g^*(S_4)$	$d_4^*$
S	A <sub>1</sub>	5	5 + 12	17	A <sub>1</sub>
	A <sub>2</sub>	4	4 + 14		
	A <sub>3</sub>	4	4 + 14		

S → A<sub>1</sub> → B<sub>2</sub> → C<sub>1</sub> → T



階段1 (Stage 1):

$S_1$	$d_1$	$f(S_1, d_1)$	$g^*(S_0) + f(S_1, d_1)$ $S_0 = S, g^*(S_0) = g^*(S) = 0$	$g^*(S_1)$	$d_1^*$
S	A <sub>1</sub>	5	0 + 5	5	A <sub>1</sub>
	A <sub>2</sub>	4	0 + 4	4	A <sub>2</sub>
	A <sub>3</sub>	4	0 + 4	4	A <sub>3</sub>

階段2 (Stage 2):

$S_2$	$d_2$	$f(S_2, d_2)$	$g^*(S_1) + f(S_2, d_2)$ $S_1 = d_1$	$g^*(S_2)$	$d_2^*$
A <sub>1</sub>	B <sub>1</sub>	4	5 + 4		
	B <sub>2</sub>	3	5 + 3	8	B <sub>2</sub>
A <sub>2</sub>	B <sub>1</sub>	6	4 + 6		
	B <sub>2</sub>	5	4 + 5	9	--
	B <sub>3</sub>	8	4 + 8		
A <sub>3</sub>	B <sub>2</sub>	5	4 + 5		
	B <sub>3</sub>	3	4 + 3	7	B <sub>3</sub>

階段3 (Stage 3):

$S_3$	$d_3$	$f(S_3, d_3)$	$g^*(S_2) + f(S_3, d_3)$ $S_2 = d_2$	$g^*(S_3)$	$d_3^*$
B <sub>1</sub>	C <sub>2</sub>	2	--		
	C <sub>3</sub>	4	--		
B <sub>2</sub>	C <sub>1</sub>	2	8 + 2	10	C <sub>1</sub>
	C <sub>3</sub>	3	8 + 3		
B <sub>3</sub>	C <sub>2</sub>	4	7 + 4	11	C <sub>2</sub>
	C <sub>3</sub>	5	7 + 5		

階段4 (Stage 4):

$S_4$	$d_4$	$f(S_4, d_4)$	$g^*(S_3) + f(S_4, d_4)$ $S_3 = d_3$	$g^*(S_4)$	$d_4^*$
C <sub>1</sub>	T	7	10 + 7	17	T
C <sub>2</sub>	T	9	11 + 9	20	T
C <sub>3</sub>	T	8	--	--	--

T → C<sub>1</sub> → B<sub>2</sub> → A<sub>1</sub> → S